

Pressure sensors

Sensors for ESS III Gas / water / station

SCOPE OF MEASUREMENTS

Standard pressure sensor

Relative 0... 100 mbar
 Relative 0... 250 mbar
 Relative 0... 1 bar
 Relative 0... 2,5 bar
 Relative 0... 10 bar
 Absolute 0... 25 bar
 Absolute 0... 100 bar

Differential pressure sensor

0... 100 mbar
 0... 1 bar
 0... 10 bar

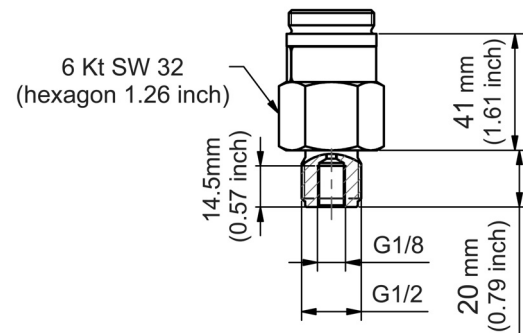
Measuring accuracy

± 0,09% vom MBEW

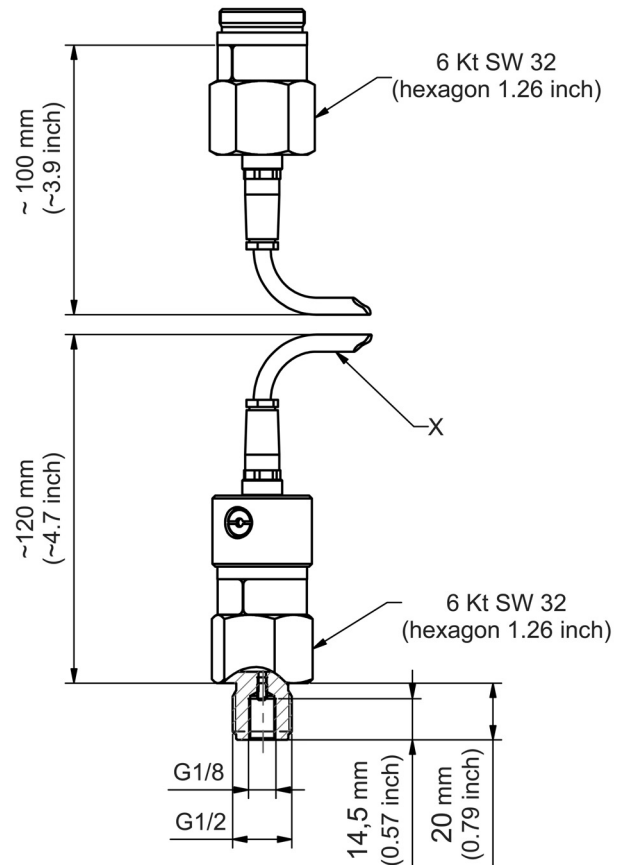
Temperature error

Less than +/- 0.05% per 10 K
 From - 20°C to + 40°C in the centre

SCREW-IN SENSOR



CABLE SENSOR



Pressure sensors

Stand 07-2008