

## Temperature sensors

### Sensors for ESS III Gas / water / station

#### SCOPE OF MEASUREMENT

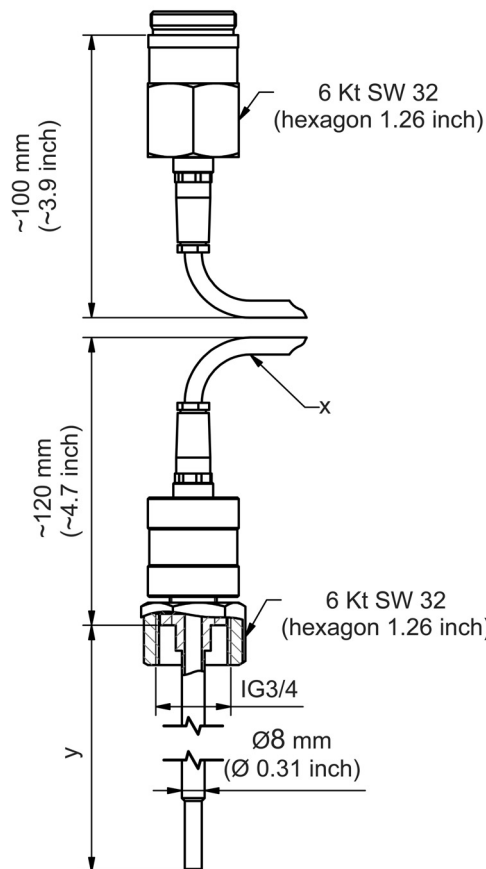
##### Temperature sensor

-10°C ... + 40°C  
-20°C ... +150°C

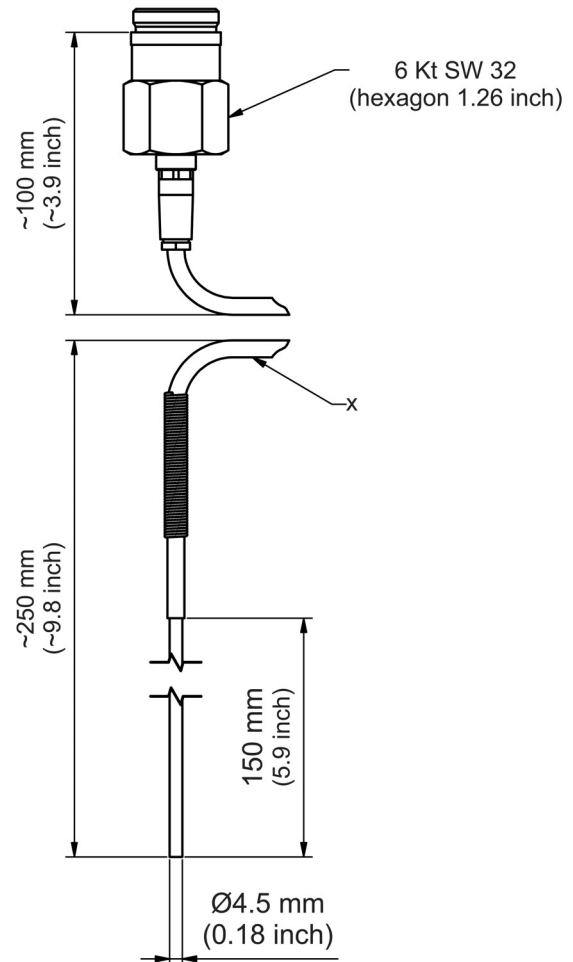
**Resolution** 0,01°C

**Measuring accuracy**  
± 0,3°C

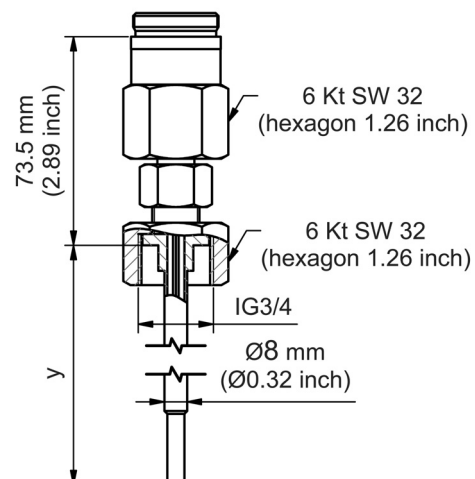
#### CABLE SENSOR



#### SCREW-IN SENSOR WITH CABLE



#### SCREW-IN SENSOR



Temperature sensors

Stand 07-2008