



## Leak testing

- Gas supply according to G469 (A) A2, B2, B3, C3 and D2
- Drinking water supply according to W400-2, Part 16 and DIN EN 805
- Process engineering / industry / process technology
- Long-distance heat lines
- Cable protection tubes
- Geothermal probes
- Sewers

## Components

- ZBK transport case
- Basic equipment
- Test standpipe
- Test piece L
- Test piece M
- Connection adapters



# PMS connection components



For leak testing of  
gas- and water pipelines

## Overview of PMS connection accessories

Available for the setup of leak tests is an extensive range of connection accessories suitable for use at construction sites. Both gas and water supply lines as well as building gas connections can thereby be quickly and reliably connected.

### Application

- Pressure tests in gas supply lines
- Pressure tests in drinking water supply lines
- Pressure tests combined in gas and drinking water supply lines
- Tests of building gas connections

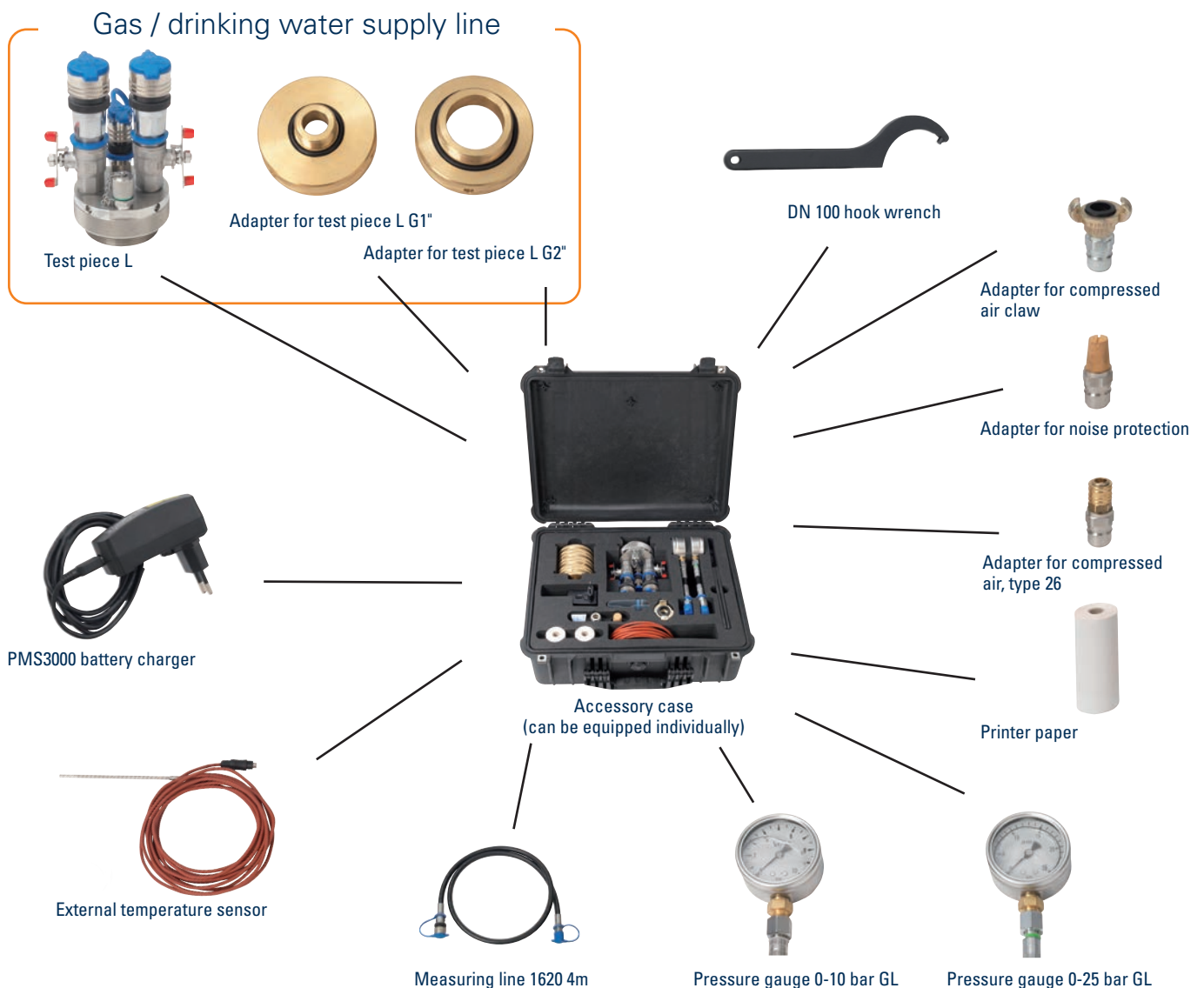
### ZBK accessory case

The ZBK accessory case made of sturdy plastic with custom foam insert holds the accessories for the gas and water supply line test and can be individually equipped at the request of the customer for various application areas.

## ZBK accessory case

Test piece L	Drinking water / gas line	17301199983
Adapter for test piece L G1	Drinking water / gas line	17301199982
Adapter for test piece L G2	Drinking water / gas line	17301199981
DN 100 hook wrench	Test	17301199980
Adapter for compressed	Gas line	17301199979
Adapter for noise protec	Gas line	17301199977
Adapter for compressed	Gas line	17301199978
Pressure gauge 0-25	Drinking water line	17301199976
Pressure gauge 0-10	Gas line	17301199975
External temperature sensor	PMS3000	17302199995
PMS3000 car charger	PMS3000	17302199998
KTW O-ring grease	Test piece L / test piece M	17301199974
Empty accessory case	Replacement	17301199973

Table 1: Content of ZBK accessory case



### Building gas connection - accessories

For the building gas connections, separate accessories optimized for the testing of building gas connections are available.

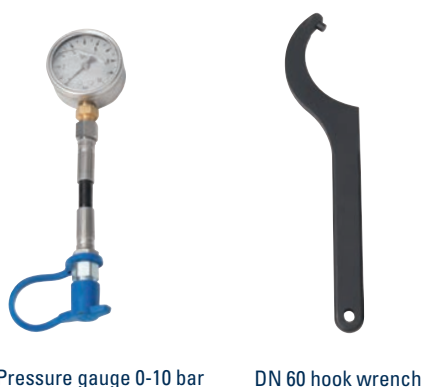


Figure 2: PSR accessories

### Accessories for building gas connection

Test piece M	Building gas connection	17301199991
Adapter for test piece M G1¼"	Building gas connection	17301199994
Adapter for test piece M G1½"	Building gas connection	17301199993
Adapter for test piece M G2"	Building gas connection	17301199992
DN 60 hook wrench	Test piece	17301199971
Pressure gauge 0-10 bar	Building gas connection	17301199970

Table 2: Accessories for gas house connection

### Test standpipe

With the W400-2, Part 16 Leak tests, the test standpipe (PSR) is used for filling, flushing, and during the leak test. Here, the test standpipe is placed on a DN 80 hydrant. A Storz C connection is provided for filling and a 2.5" connection is provided for receiving the UNION L test piece. In addition, a water sample can be taken via a flame tube for examining the water quality.

#### Advantages

- Set up and dismantle a leak test faster and easier W400-2, Part 16
- No leak problems at connection transitions
- Rugged design suitable for use at construction sites.

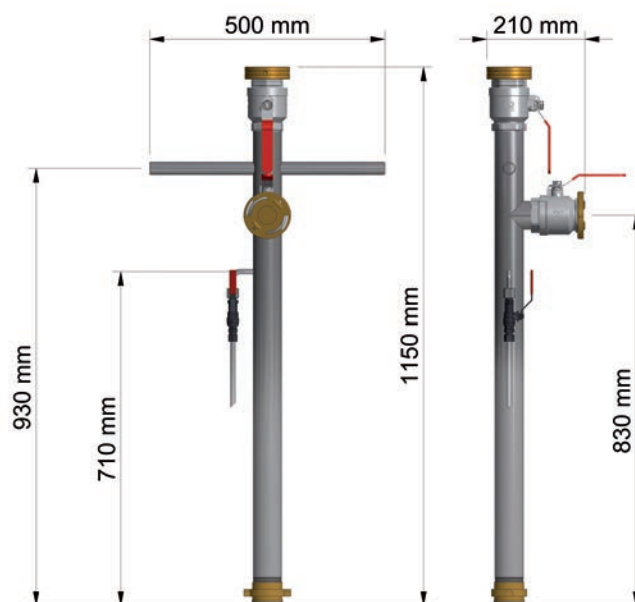


Figure 3: Test standpipe

### Technical Data

Dimensions: W x H x D	500x1150x210
Weight	15 kg
Hydrant connection	DN 80
Filling connection	Storz C
Test connection	2,5"
Pressure stage	PN 16

Table 3: Technical data for test standpipe



## About UNION Instruments

UNION Instruments, founded in 1919, is a specialized supplier of measuring instruments in the areas of calorimetry, gas composition and leak testing. Its user and customer base includes biogas producers, the chemical industry, and energy and water suppliers. The company has its headquarters in Karlsruhe and subsidiaries in Lübeck as well as in Berlin. With approximately 30 international distributors, UNION Instruments operates worldwide. The company's core businesses include development and production as well as maintenance, service, and support.

## Our service performance



### Support

The **UNION-hotline** helps to solve all inquiries and urgent issues fast and easy. Device specific concerns can be solved worldwide within minutes by direct communication via TEAMVIEWER.



### Original spare parts

Original spare parts for the majority of UNION's products are on stock directly at site and ready for dispatch within a few hours.



### Software

For read-out of measurement and calibration data a device-specific software is available for our clients. In addition to the graphic display of measurement data its export in several database formats is possible.



### Training

UNION offers individual in-house training or on-site seminars for installation, use and maintenance of our devices even at the customer's premises. Training is individually adapted to the client's requirements.



### Repair service

A global service for inspection, maintenance and repair of our devices and systems is provided directly by UNION and via its distributors.



### Certification

Since 20 years we have implemented the ISO9001 system. UNION's products are certified to ATEX and UL/CSA directives accordingly. Industrial safety "**Safety with System**" is part of UNION's company policy.



### Engineering

In the last decades UNION compiled a very high level to the state of the art that covers many market segments. So a wide range of possible solution approaches is on hand.



### Calibration

As part of maintenance and service UNION provides the validation and re-calibration of measuring devices in conformity with certified custody transfer instruments and / or traceable perpendicular.

[www.union-instruments.com](http://www.union-instruments.com)

UNION Instruments GmbH ■ Zeppelinstrasse 42, 76185 Karlsruhe, Germany  
Phone: +49 (0) 721-68 03 81 0 ■ Fax: +49 (0) 721-68 03 81 33  
E-Mail: [info@union-instruments.com](mailto:info@union-instruments.com)